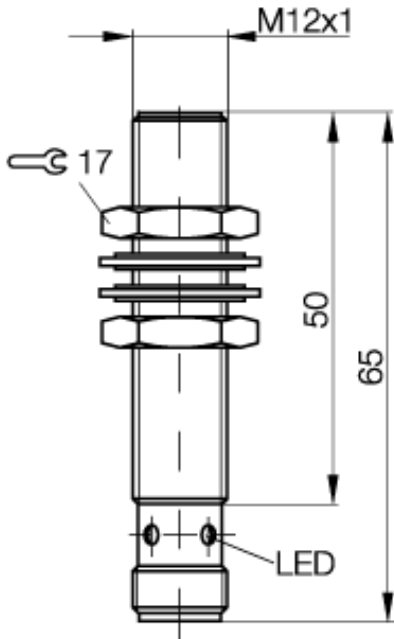


Inductive Sensors
BES M12MI-PSC40B-S04G
M12x1 x 65
normally-open
Sn=4mm
shielded



PX1407

Common Data

Product name	DoubleProx shielded
Mounting in steel	4mm
Rated operating distance Sn	0...3.2mm
Assured operating distance Sa	<= 5%
Repeatability R	<= 15%
Hysteresis	yes
Function indication	-25...+70°C
Ambient temperature range	3
Polution Degree	I1A12AP2
IEC-Code	<= 10ms
Time delay before availability	

Mechanical Data

Measurements BxHxT or DxT	M12x1 x 65mm
Housing material	nickel plated brass
Material of sensing face	LCP
Degree of protection	IP68 acc. BWN Pr 20IP
Connection	Connector S4
Schock: Halfsinus, 30 gn, 11ms	
Vibration: 55 Hz, 1mm Amplitude, 3 x 30 Minutes	

Electrical Data

Current type	DC
Wiring	3-Wire
switching function	normally-open
Output signal	PNP
Rated operational voltage	24 DCV
Rated operational current	200mA
Supply voltage	12...30 DCV
Ripple	<= 15%
max. switching frequency	300Hz
No-load supply current	<= 15mA
Off-state current	<= 20µA
Voltage drop	<= 2.5V
Short circuit protection	yes
Protected against polarity reversal	yes



Remarks

Mounting Instructions 825357



Utilization categories DC 13
 Insulation class II

Datasheet number:

Definitions see general catalog.
 If not otherwise noted, ratings according to IEC 60947-5-2 (DIN EN60947-5-2)

Balluff GmbH
 P.O.Box 1160
 73761 Neuhausen Germany
 Phone (07158) 173-0 Fax (07158) 5010